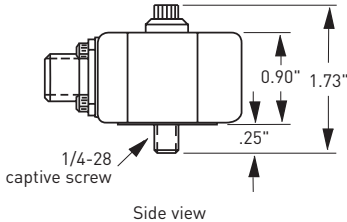
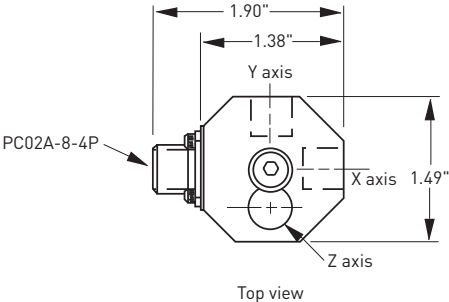


**Model 993A**  
**General purpose, triaxial accelerometer**



- Features**
- Rugged design
  - Easy to mount



**Dynamic**

Sensitivity, $\pm 10\%$ , 25°C.....	100 mV/g
Acceleration range .....	50 g peak
Amplitude nonlinearity.....	1%
Frequency response:	
all channels, $\pm 10\%$ .....	2 - 2,000 Hz
Transverse sensitivity, max.....	5% of axial
Temperature response.....	
-50°C .....	+10%
+25°C .....	+0%
+80°C .....	+3%
-120°C .....	-7%

**Electrical**

Power requirement: voltage source.....	18 - 30 VDC
current regulating diode .....	2 - 10 mA
Electrical noise, equiv. g:	
Broadband 2.5 Hz to 25 kHz.....	150 $\mu$ g
Spectral 10 Hz.....	20 $\mu$ g/√Hz
100 Hz.....	2 $\mu$ g/√Hz
1000 Hz.....	0.6 $\mu$ g/√Hz
Output impedance, max. ....	100 $\Omega$
Bias output voltage.....	12 VDC
Grounding.....	case isolated, internally shielded

**Environmental**

Temperature range .....	-50 to 120°C
Vibration limit.....	500 g peak
Shock limit .....	5,000 g peak
Electromagnetic sensitivity, equiv. g. ....	100 $\mu$ g/gauss
Sealing .....	Epoxy
Base strain sensitivity .....	0.0005 g/ $\mu$ strain

**Physical**

Sensing element design.....	PZT ceramic / shear
Weight .....	88 grams
Case material.....	hardcoated aluminum
Mounting .....	1/4-28 captive socket head screw
Output connector.....	4 pin, Bendix PC02A-8-4P
Mating connector .....	R9W
Recommended cabling.....	J9T4

Connector pin	Function	Cable conductor color
Shell	N/C	shield
A	axis Y, power / signal	green
B	axis X, power / signal	red
C	axis Z, power / signal	white
D	common (all channels)	black

Accessories supplied: #11714-09 captive screw (International customers specify mounting requirements); calibration data (level 2)

Wilcoxon Research Inc  
 21 Firstfield Rd  
 Gaithersburg, MD 20878  
 USA

Tel: 301 330 8811  
 Fax: 301 330 8873  
 Email: sensors@wilcoxon.com

www.meggitt.com

**MEGGITT**  
 smart engineering for  
 extreme environments