

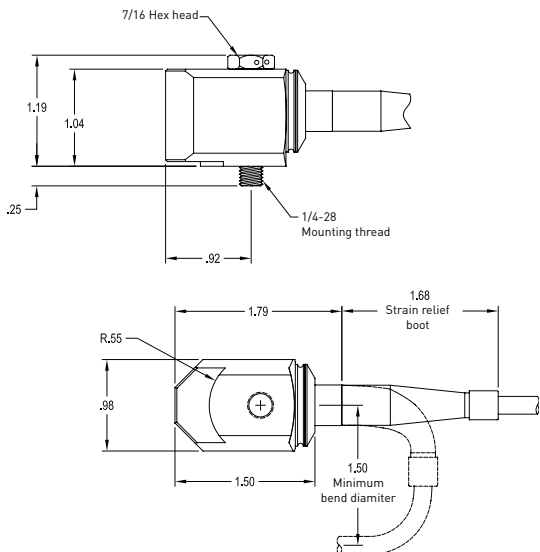


Model 787F Low profile, general purpose accelerometer



Features

- Corrosion resistant
- Hermetic design
- Ground isolated
- ESD protection
- EMI / RFI protection
- Reverse wiring protection
- Mounts in any orientation



Dynamic

Sensitivity, ±10%, 25°C	100 mV/g
Acceleration range	80 g peak
Amplitude nonlinearity	1%
Frequency response:	
±10%	1.0 - 5,000 Hz
±3 dB	0.7 - 10,000 Hz
Resonance frequency	22 kHz
Transverse sensitivity, max	5% of axial
Temperature response:	
-50°C	-5%
+120°C	+5%

Electrical

Power requirement: voltage source	18 - 30 VDC
current regulating diode	2 - 10 mA
Electrical noise, equiv. g:	
Broadband 2.5 Hz to 25 kHz	700 µg
Spectral 10 Hz	10 µg/√Hz
100 Hz	5 µg/√Hz
1000 Hz	5 µg/√Hz
Output impedance, max.....	100 Ω
Bias output voltage	12 VDC
Grounding	case isolated, internally shielded

Environmental

Temperature range	-50 to 120°C
Vibration limit	500 g
Shock limit, min	5,000 g
Electromagnetic sensitivity, equiv. g, max	70 µg/gauss
Sealing	hermetic
Base strain sensitivity, max	0.002 g/µstrain
Hydrostatic pressure	100 psi

Physical

Sensing element design	PZT ceramic / shear
Weight	145 grams
Case material	316L stainless steel
Mounting	1/4 - 28 captive hex head screw with 0.046" diameter safety wire hole
Integral cabling	J9T2A, 16 ft., blunt cut

Function	Cable conductor color
Ground	shield
Power/ signal	white
Common	black

Accessories supplied: #80165-01 captive hex head screw; calibration data (level 2).

Wilcoxon Research Inc
20511 Seneca Meadows Parkway
Germantown, MD 20876
USA

Tel: 301 330 8811
Fax: 301 330 8873
Email: wilcoxon@meggitt.com

www.meggitt.com

MEGGITT
smart engineering for
extreme environments

98958 Rev.A 1/07