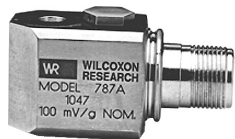




Model 787A Low profile, general purpose accelerometer



Features

- Corrosion resistant
- Hermetic design
- Ground isolated
- ESD protection
- Reverse wiring protection
- Mounts in any orientation

Dynamic

Sensitivity, ±10%, 25°C.....	100 mV/g
Acceleration range	80 g peak
Amplitude nonlinearity.....	1%
Frequency response:	
±10%.....	1.0 - 5,000 Hz
±3 dB	0.7 - 10,000 Hz
Resonance frequency.....	22 kHz
Transverse sensitivity, max.....	5% of axial
Temperature response.....	-50°C -5%
	+120°C +5%

Electrical

Power requirement: voltage source	18 - 30 VDC
current regulating diode	2 - 10 mA
Electrical noise, equiv. g:	
Broadband 2.5 Hz to 25 kHz.....	700 µg
Spectral 10 Hz.....	10 µg/√Hz
100 Hz.....	5 µg/√Hz
1000 Hz.....	5 µg/√Hz
Output impedance, max	100 Ω
Bias output voltage.....	12 VDC
Grounding.....	case isolated, internally shielded

Environmental

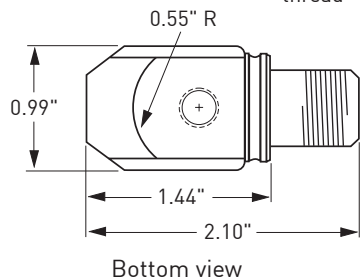
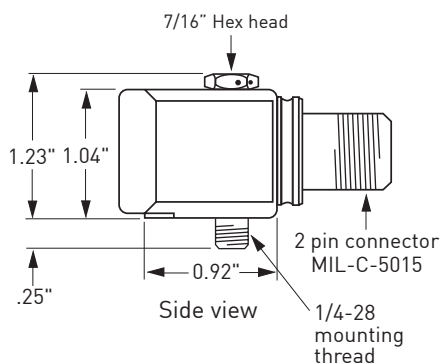
Temperature range	-50 to 120°C
Vibration limit.....	500 g
Shock limit, min	5,000 g
Electromagnetic sensitivity, equiv. g, max	70 µg/gauss
Sealing	hermetic
Base strain sensitivity, max	0.002 g/µstrain

Physical

Sensing element design	PZT ceramic / shear
Weight	145 grams
Case material.....	316L stainless steel
Mounting	1/4 - 28 captive hex head screw with 0.046" diameter safety wire hole
Output connector.....	2 pin, MIL-C-5015 style
Mating connector	R6 type
Recommended cabling.....	J10 / J9T2A

Connector pin	Function	Cable conductor color
Shell	ground	Shield
A	power/ signal	White
B	common	Black

Accessories supplied: #80165-01 captive hex head screw; calibration data (level 2).



Wilcoxon Research Inc
21 Firstfield Rd
Gaithersburg, MD 20878
USA

Tel: 301 330 8811
Fax: 301 330 8873
Email: sensors@wilcoxon.com

www.meggitt.com

MEGGITT
smart engineering for
extreme environments