

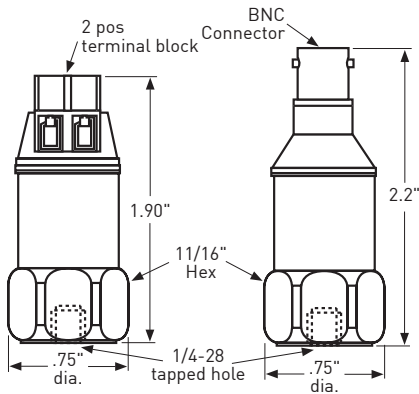


# Model 777/777B General purpose accelerometer



### Features

- Ground isolated
- ESD protection



Model 777

Model 777B

### Dynamic

Sensitivity, ±10%, 25°C.....	100 mV/g
Acceleration range .....	80 g peak
Amplitude nonlinearity.....	1%
Frequency response at ±3 dB, nominal.....	0.5 - 12,000 Hz
Resonance frequency.....	30 kHz
Transverse sensitivity, max.....	5% of axial
Temperature response:	
-50°C.....	-10%
+85°C.....	+5%

### Electrical

Power requirement: voltage source .....	18 - 30 VDC
current regulating diode .....	2 - 10 mA
Electrical noise, equiv. g:	
Broadband 2.5 Hz to 25 kHz .....	700 µg
Spectral 10 Hz .....	10 µg/√Hz
100 Hz .....	5 µg/√Hz
1000 Hz .....	5 µg/√Hz
Output impedance, max .....	100 Ω
Bias output voltage.....	12 VDC
Grounding.....	case isolated (>10 <sup>9</sup> Ω at 100V), internally shielded

### Environmental

Temperature range .....	-50 to 85°C
Vibration limit.....	500 g
Shock limit, min .....	5,000 g
Electromagnetic sensitivity, equiv. g, max .....	70 µg/gauss
Sealing .....	IP66
Base strain sensitivity, max .....	0.0005 g/µstrain

### Physical

Sensing element design.....	PZT ceramic / shear
Weight .....	75 grams
Case material.....	stainless steel
Mounting .....	1/4 - 28 UNF tapped hole
Output connector.....	see table
Mating connector .....	see table
Recommended cabling.....	J10

Model	Connector	Power/signal	Common	Mating connector
777	2 position terminal block	+	-	N/A
777B	BNC coaxial	center contact	shell	R2

Accessories supplied: SF6 1/4-28 mounting stud; protective vinyl boot (777 only)

Accessories available: SF6M 1/4-28 to M8 adapting stud

Wilcoxon Research Inc  
21 Firstfield Rd  
Gaithersburg, MD 20878  
USA

Tel: 301 330 8811  
Fax: 301 330 8873  
Email: sensors@wilcoxon.com

www.meggitt.com

**MEGGITT**  
smart engineering for  
extreme environments  
98159 Rev.B.3 11/00